

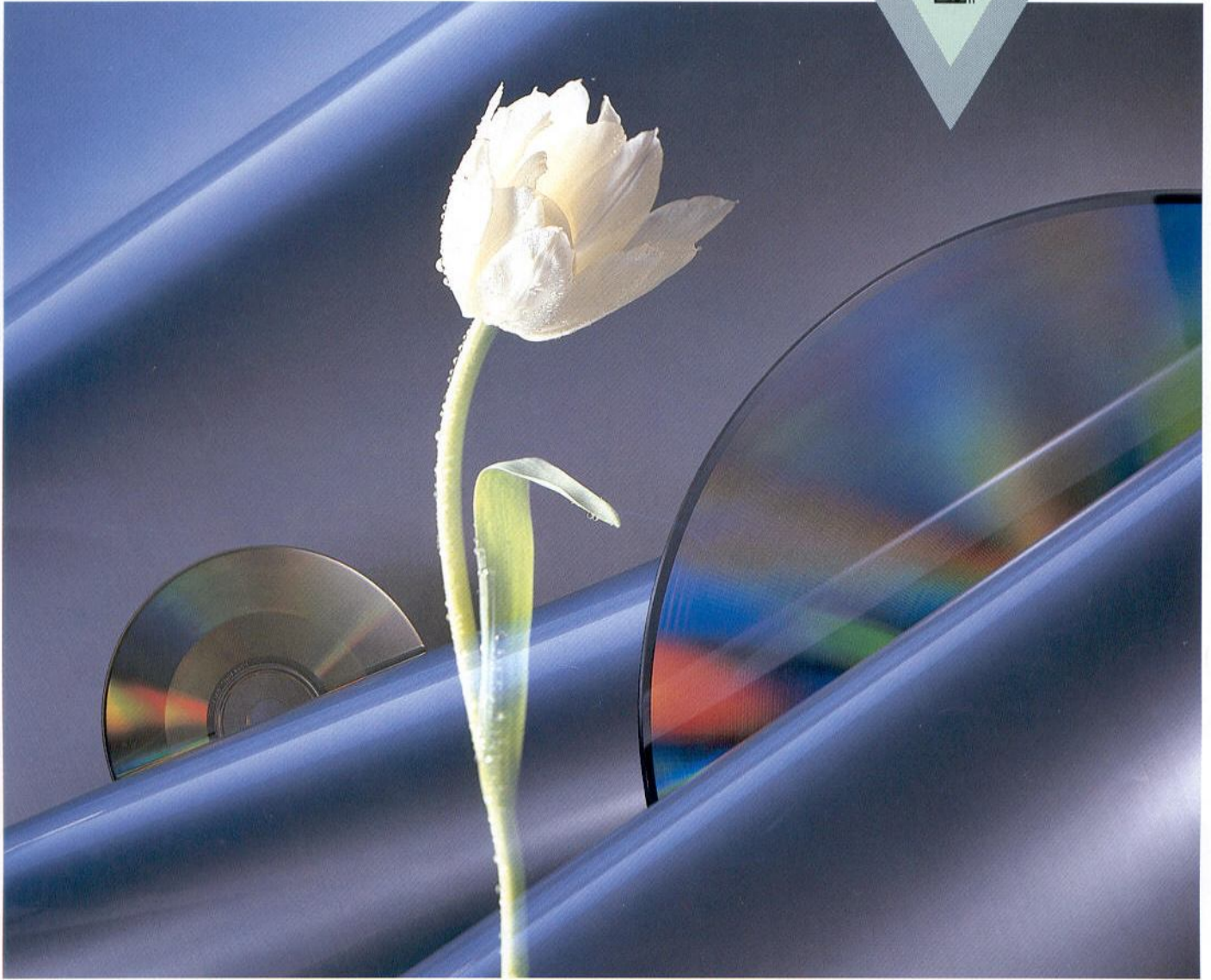
PIONEER
The future of sound and vision.

LaserDisc™

CLD-1030



CD/CDV/LD PLAYER



L LaserVision
COMPACT disc DIGITAL AUDIO
CD VIDEO

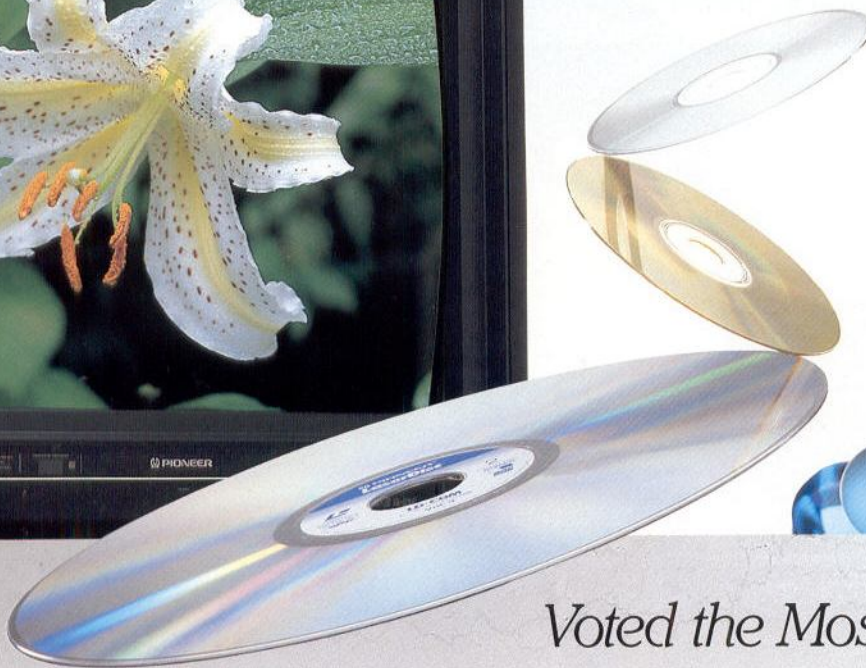
A New TRIPLE-PLAY Winner

Laser Tech Reaches New Heights

Laser-optics! The benefits of this almost-magical new technology are yours to see (and hear!) in one compact **Triple-Player** from Pioneer, handling LD videodiscs, audio-only CDs and the new CDV audio-plus-video format. The new-generation CLD-1030 even plays the very latest CD size—three-inch discs. Laser-optic picture quality, digital-to-audio conversion and high-fidelity audio reproduction are the most impressive yet achieved, proving (again!) that Pioneer IS the future of sound and vision.



TV picture simulated.



Voted the Most Talented COMBINA

High-Quality Picture

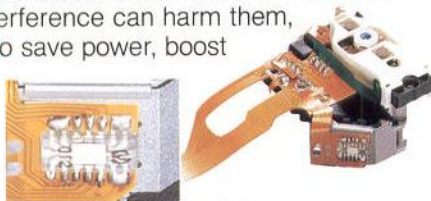
- High Horizontal Resolution—425 Lines
- Low Video Noise—46dB S/N
- Color Lock Scan—Cleaner, Brighter even on CLV discs

High-Quality Digital Sound

- 2X Oversampling Digital Filter
- Wide Frequency & Dynamic Range—4~20,000Hz, 95dB
- Very Low Noise & Distortion—98dB S/N, 0.005% THD

Improve Your Vision!

You needn't be an engineer to see what 425-line horizontal resolution and a high 46dB S/N mean in terms of improved picture quality. The CLD-1030 achieves these remarkable specs via several new-generation developments, including an ultra-precise laser pickup, a new lens system, a very advanced OEIC chip small enough to ride "piggyback" on the pickup itself so that readouts are converted to electrical signals before outside interference can harm them, and a one-chip video IC to save power, boost reliability and guard against picture-spoiling electrical abnormalities.



Tiny OEIC chip and laser pickup.

Better Sound, Too!

You can't hear "digital" sound. Although CDs, CDVs and digitized LD videodiscs **store** sound in digital form, safe from

virtually all forms of noise and distortion, what you hear is the analog conversion. This is why we've built the analog-audio section of the CLD-1030 like a first-class **high-fidelity** component, with high-quality parts and an L/R-symmetrical configuration to separate the two channels for purer sound. The difference is particularly noticeable in the rich and realistic bass. A big, stable power supply with a winding dedicated to audio only also helps.

Kicking Out the Vibes

No other maker has more experience in LD and CD reproduction than Pioneer. And over those many years we've learned a lot about eliminating the tiny little jitters that spoil video and audio quality. Our latest weapon is a magnetic disc clamber, holding the spinning disc free of the rest of the player mechanism to prevent resonance propagation. Moreover, honeycomb underbase, large insulators and a "cross-rib" pattern in the chassis further reduce the "bad vibes."



NATION LASER-OPTICS PLAYER of the Year!

Triple-Play Talents

- LD—Movies, Music, More!
- CDV—Compact Disc with Video
- CD Play—Including NEW 3-Inch Size

New-Generation Advantages

- Compact OEIC Laser Pickup
- High-Density Video IC Chip
- Ultra-Precise One-Motor Drive
- Improved Front-Panel Operation/Display

Pick a Disc and Play It

A single, high-performance, brushless motor drives the disc you choose to play. Just load the disc into the fully opening tray and press PLAY on the front panel or the remote control and it's all automatic from then on. The tray closes, the player positions the disc, senses whether it is an LD, CD or CDV, selects "digital" or "analog," and play begins.



Tray opens fully.

Just a Fingertip Away

All main player functions (see back page) operate from the front panel, and most of them are repeated on the "SR" remote control (see photos). The large fluorescent display on the flip-down panel gives full operation status information of these functions.

LaserDisc™

LaserDisc is a trademark of Pioneer Electronic Corporation.

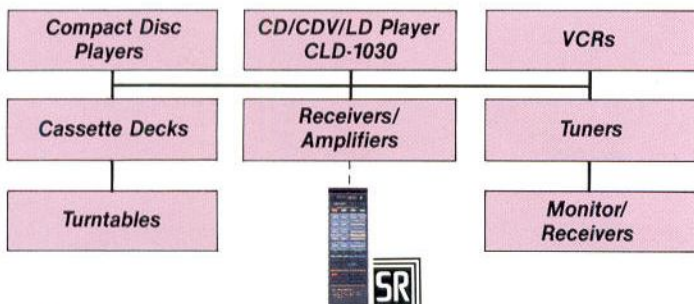


The LaserVision mark certifies compatibility with other laser optical video products bearing the mark.



This mark indicates the compatibility for the Pioneer system remote control.

Pioneer SR System



The major functions of the CLD-1030 and other Pioneer audio-video source components bearing the "SR" (System Remote) mark can be controlled from the "SR" unified A/V commander of any Pioneer "SR" A/V amplifier or A/V receiver.

SPECIFICATIONS

System	
Type:	Laser/Vision videodisc system, Compact Disc with Video and Compact Disc digital audio system
Type of discs	
LD	
Maximum playing time:	12 in. (30 cm) standard-play (CAV) disc: 60 min./both sides 12 in. (30 cm) extended-play (CLV) disc: 120 min./both sides
Spindle-motor speeds:	8 in. (20 cm) standard-play (CAV) disc: 28 min./both sides 8 in. (20 cm) extended-play (CLV) disc: 40 min./both sides Standard play (CAV) disc: 1,800 rpm Extended play (CLV) disc: 1,800-600 rpm (12 in./30 cm disc)
5-inch Compact Discs	
Maximum playing time:	Over 60 min. (stereo)
Rotation direction:	Counterclockwise (pickup side)
Linear speed:	1.2-1.4m/sec.
3-inch Compact Discs	
Maximum playing time:	Over 20 min. (stereo)
Rotation direction:	Counterclockwise (pickup side)
Linear speed:	1.2-1.4m/sec.
CDV	
Maximum playing time:	Audio only: 20 min. Audio & video: 5 min.
Rotation direction:	Counterclockwise (pickup side)
Video characteristics	
Horizontal resolution:	425 lines
Video signal-to-noise ratio:	46 dB
Digital audio characteristics	
Frequency response:	4-20,000 Hz (+0.5/-1.0 dB)
Signal-to-noise ratio:	98 dB
Dynamic range:	95 dB
Channel separation:	92 dB
Total harmonic distortion:	0.005%
Wow and flutter:	Unmeasurable ($\pm 0.001\%$ weighted peak or less)
Analog audio characteristics	
Frequency response:	20-20,000 Hz
Signal-to-noise ratio:	More than 70 dB (CX ON)
Dynamic range:	More than 70 dB (CX ON)
Outputs	
VHF output (NTSC)	
Channel:	Channel 3 or 4 (switchable)
Terminal:	F-type jack (75 ohms, unbalanced)
Video output	
Output level:	1Vp-p (75 ohms, synch. negative)
Output terminals:	RCA jack (75 ohms, unbalanced)
Audio output	
Output level:	Digital/analog terminals: 200mV rms (1kHz, 40%) [analog] 200mV rms (1kHz, -20dB) [digital] Analog terminal: LD terminal 200mV rms (1kHz, 40%)
Output terminals:	RCA jacks
Channels	
LD:	Discrete 2 channels (1/L, 2/R, 1/L+2/R, switchable)
CD/CDV:	2 channels (stereo)
Other terminal	
Control input/output:	Mini-jack (for SR remote control)
General	
Power requirements:	AC 120V, 50/60Hz
Power consumption:	38W
Dimensions (W x H x D):	16 9/16 x 4 5/16 x 17 1/4 in. (420 x 110 x 438 mm)
Weight:	20 lbs. 4 ozs. (9.2kg)
Allowable temperatures	
for accurate operation:	+41°F - +95°F (+5°C - +35°C)
Allowable humidity	
for accurate operation:	5% - 90% (w/o dew condensation)

Note: Specifications and design subject to modification without notice.

FUNCTIONS: REMOTE CONTROL

	LD		Compact Disc	
	Standard-Play (CAV)	Extended-Play (CLV)	CD	CDV
General functions				
Tray open/close	yes	yes	yes	yes
TV/LDP selector	yes	yes	yes	yes
Play	yes	yes	yes	yes
Pause	yes	yes	yes	yes
Audio functions				
Audio monitor (Stereo, 1/L, 2/R)	yes	yes	yes	yes
Auto digital/analog	yes ¹	yes ¹		
CX system ON/OFF	yes ²	yes ²		
Scan/search functions				
2-speed scan (forward/reverse)	yes	yes	yes	yes ³
Chapter-number search	yes ⁴	yes ⁴		
Track-number search			yes	yes
Chapter skip search (forward/reverse)	yes ⁴	yes ⁴		
Track search			yes	yes
Frame-number search	yes		yes	yes
Time-number search		yes	yes	yes
Repeat play functions				
2-point repeat	yes	yes	yes	yes
Memory repeat	yes	yes	yes	yes
Chapter repeat	yes ⁴	yes ⁴		
Track repeat			yes	yes
Programmed-chapter repeat	yes ⁴	yes ⁴		
Programmed-track repeat			yes	yes
One-side repeat	yes	yes	yes	yes
Special play functions				
Multispeed play (forward/reverse, 9 steps)	yes			
Chapter program play (up to 20 chapters)	yes ⁴	yes ⁴		
Track program play (up to 20 tracks)			yes	yes
Still/step play (forward/reverse)	yes			
Random play			yes	yes ³
Auto program edit			yes	yes ³
On-screen displays				
Multispeed play (forward/reverse, 9 steps)	yes			
Chapter number	yes ⁴	yes ⁴		
Track number			yes	yes
Frame number	yes			
Time number		yes	yes	yes
Total tracks/play time	yes ⁵	yes ⁵	yes	yes
Remaining time			yes	yes ³
Repeat	yes	yes	yes	yes
Program play	yes ⁴	yes ⁴	yes	yes

FUNCTIONS: MAIN UNIT

	LD		Compact Disc	
	Standard-Play (CAV)	Extended-Play (CLV)	CD	CDV
Functions				
Power ON/OFF	yes	yes	yes	yes
Play	yes	yes	yes	yes
Pause	yes	yes	yes	yes
2-speed scan (forward/reverse)	yes	yes	yes	yes ³
Chapter skip search (forward/reverse)	yes ⁴	yes ⁴		
Track skip search			yes	yes
Ten key selection	yes	yes	yes	yes
Program play	yes ⁴	yes ⁴	yes	yes
Random play			yes	yes ³
Auto program edit			yes	yes ³
Tray open/close	yes	yes	yes	yes
Headphone volume	yes	yes	yes	yes
Fluorescent displays				
Play	yes	yes	yes	yes
TV selection	yes	yes	yes	yes
CD/CDV/LD selection	yes	yes	yes	yes
CX system ON/OFF	yes ²	yes ²		
1/L, 2/R	yes	yes		
Digital sound play	yes ¹	yes ¹	yes	yes
Chapter number	yes ⁴	yes ⁴		
Track number			yes	yes
Frame number	yes			
Time number		yes	yes	yes
Total tracks/play time	yes ⁵	yes ⁵	yes	yes
Remaining time			yes	yes ³
2-point repeat	yes	yes	yes	yes
Chapter/track repeat	yes ⁴	yes ⁴	yes	yes
One-side repeat	yes	yes	yes	yes
Program repeat	yes ⁴	yes ⁴	yes	yes
Random play			yes	yes ³
Auto program edit			yes	yes ³

Notes:

- 1) Applicable only with discs having digital sound
 - 2) Applicable only with discs having no CX noise reduction code
 - 3) Applicable with audio-only tracks
 - 4) Applicable only with discs having chapter number codes
 - 5) Applicable only with discs having TOC (table of contents) codes
- CX is a trademark of CBS Inc.



PIONEER ELECTRONICS (USA) INC.
P.O. Box 1540, Long Beach, California 90801

40,000-KL(A)62-12-87 Printed in Japan (PA)